

TITAN™ Sidekick™, Portable Liquid Transfer Tank

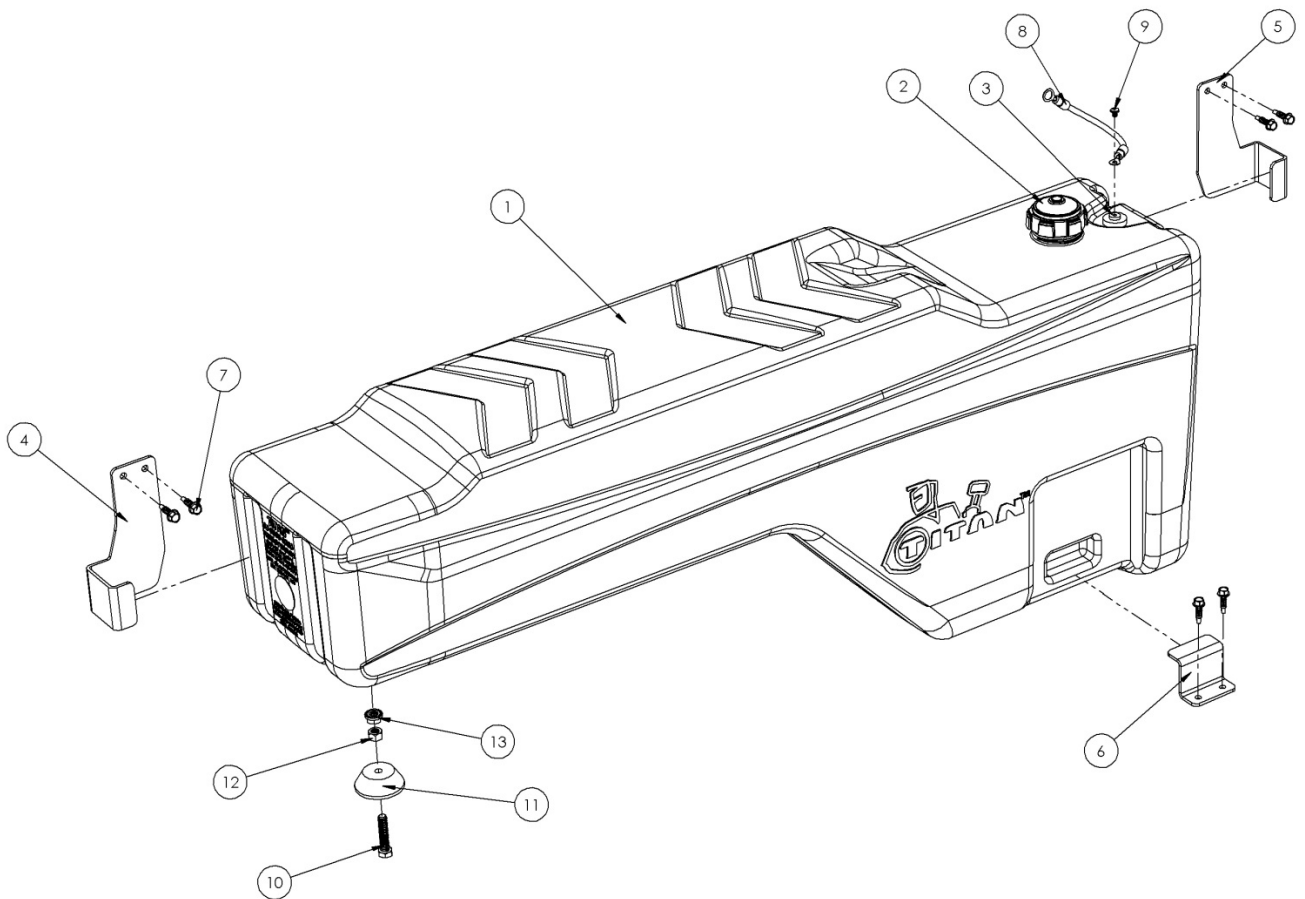


5040015 15 Gallon (56.78 L.) SideKick™ Compact Liquid Transfer Tank

For handy transport of flammable, combustible, or nonflammable liquids. A convenient shaker siphon is included. Can be used for DEF (Diesel Exhaust Fluid) if a compatible transfer system, such as TITAN's "99 0142 0000 DEF Compatible Siphon Pump Kit" is employed.

Can be installed in any corner of a pickup bed with the included hardware.

Enclosed warranty form must be returned within sixty (60) days of receipt for warranty to be valid.



TITAN™ SideKick

ITEM NUMBER	PART DESCRIPTION	TITAN PART NUMBER	QTY.
1	Sidekick Tank Body	99 0000 0513	1
2	Fuel Cap	99 0000 0628	1
3	Grounding Stud Assembly	99 0139 0000	1
4	Bracket 1	99 0000 0563	1
5	Bracket 2	99 0000 0564	1
6	Toe Clamp	99 0000 0565	1
7	1/4"-14 Steel Drilling Screw, 1" Length, Zinc-Plated Steel	99 0000 0526	6
8	Grounding Wire	99 0154 0000	1
9	10-24 Pan Head Phillips Machine Screw, 1/4" Length, 18-8 Stainless Steel	99 0000 0540	1
10	3/8"-16 Cap Screw, 1" Long, Grade 2 Zinc-Plated Steel	99 0000 0528	1
10	3/8"-16 Cap Screw, 1-3/4" Long, Grade 2 Zinc-Plated Steel	99 0000 0529	1
10	3/8"-16 Cap Screw, 2-1/2" Long, Grade 2 Zinc-Plated Steel	99 0000 0530	1
11	Bumper	99 0000 0527	1
12	3/8"-16 Hex Nut, Grade 2 Zinc-Plated Steel	99 0000 0531	1
13	3/8"-16 Flange Hex Locknut, Grade 2 Zinc-Plated Steel	99 0000 0532	1

IMPORANT: Be sure to attach and run the grounding wire from the grounding stud to a mounting bolt. Be sure the tank is grounded to a steel part of the vehicle body which is grounded to the chassis.



**P.O. Box 2225
Idaho Falls, ID 83403 USA
Telephone (800) 728-4982 FAX (208) 529-2162**

www.titanfueltanks.com

TITAN Fuel Tanks are PROUDLY MADE IN THE USA

TITAN pt. no.: **99 0000 0543**

Revised 3.02.15

©2015 Supertanks, LLC