



**5060015 Sidekick™, Portable Liquid Transfer Tank for Jeep
Gladiator**



For handy transport of flammable, combustible, or nonflammable liquids. A convenient shaker siphon is included.

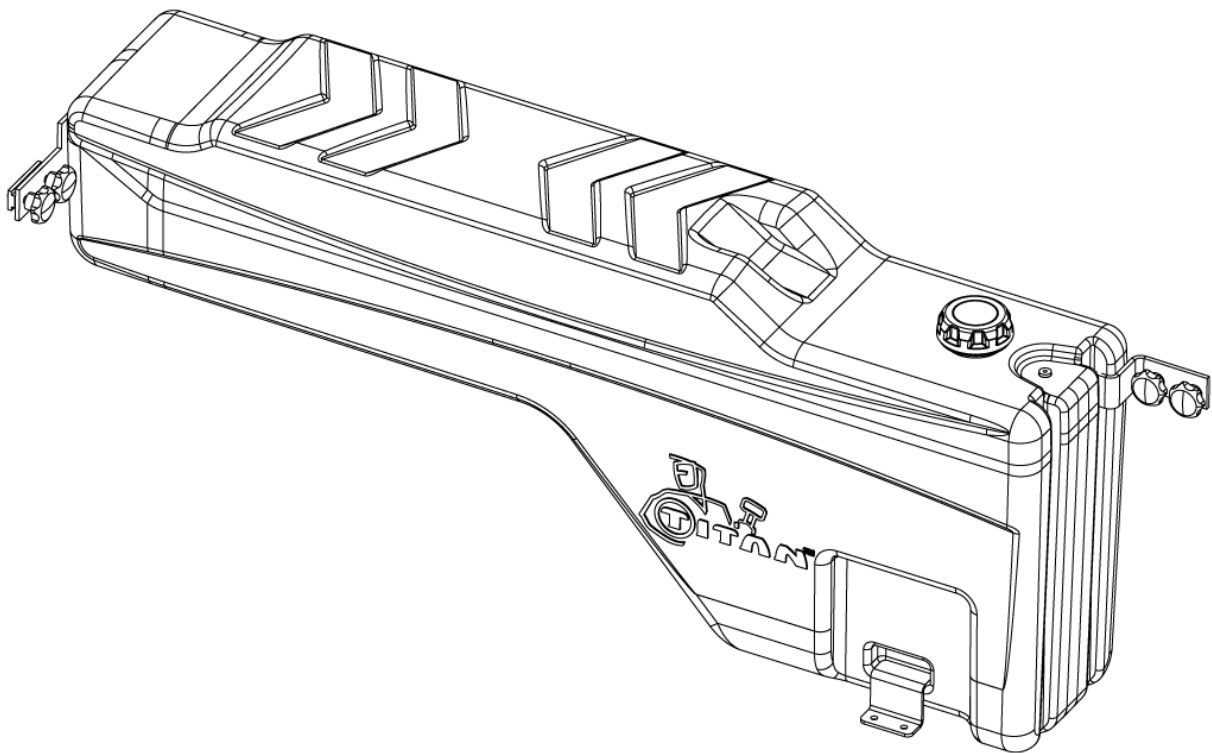
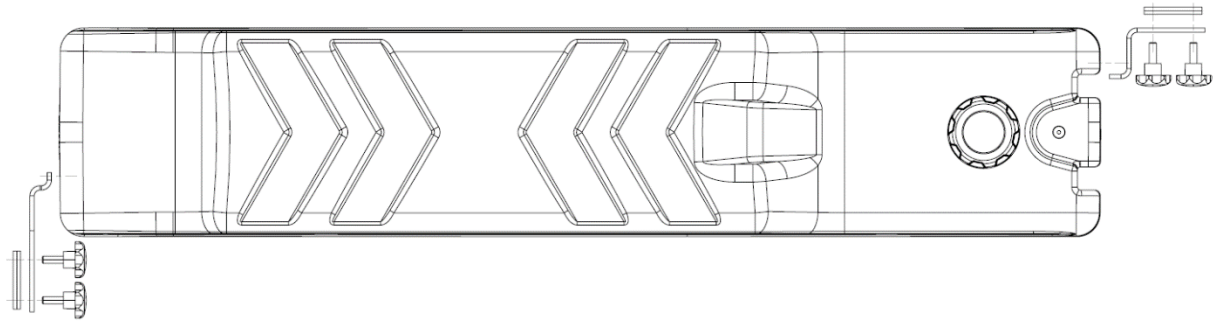
5060015 15 Gallon (56.78 L.) SideKick™ Compact Liquid Transfer Tank Parts List:

1 ea.	99 0000 0513	Cross-Link Polyethylene (XLHDPE) Molded Tank
1 ea.	99 0000 0628	Fuel Cap
1 ea.	99 0139 0000	Grounding Stud Assembly
1 ea.	99 0000 0477	3" x 6" Rubber Pad

1 ea.	99 0153 0000	Siphon pump with 10' hose
1 ea.	99 0154 0000	Grounding Wire Assembly
1 ea.	98 0000 0572	Front Jeep Gladiator Bracket
1 ea.	98 0000 0571	Rear Jeep Gladiator Bracket
2 ea.	98 0000 0573	Jeep Gladiator Rail Bracket Aluminum
4 ea.	99 0000 0957	5/16"-18 Hand Knob, 0.906" Length
1 ea.	99 0000 0565	Sidekick Toe Clamp
2 ea.	99 0000 0526	1/4"-14 Steel Drilling screw, 1" Length
1 ea.	99 0000 0185	TITAN™ Warranty Envelope

I. Installation of Sidekick Tank

Step	Description
1	Place tank body over the passenger side wheel well.
2	Use provided Hand Knobs to attach the Aluminum Rail Brackets to the front and rear Jeep Gladiator Brackets. Leave them slightly loose for now.
3	Slide the combined brackets up the tapered ends of the tank body and insert them into the Jeep Bed Rails.
4	Position the brackets and tank into the desired position, then tighten the Hand Knobs down securely.
5	Place the provided Toe Clamp into the bottom cutout of the tank. Use the 2 provided self-tapping screws to secure the Toe Clamp to the bed.
6	Attach and run the grounding wire from the grounding stud to a mounting bolt. Be sure the tank is grounded to a steel part of the vehicle body which is grounded to the chassis.



Enclosed warranty form must be returned within sixty (60) days of receipt for warranty to be valid.



**P.O. Box 2225
Idaho Falls, ID 83403 USA
Telephone (800) 728-4982 FAX (208) 529-2162**

www.titanfueltanks.com

TITAN Fuel Tanks are PROUDLY MADE IN THE USA

TITAN pt. no.: 98 0000 0510

Revised 12.08.20

©2020 Supertanks, LLC